



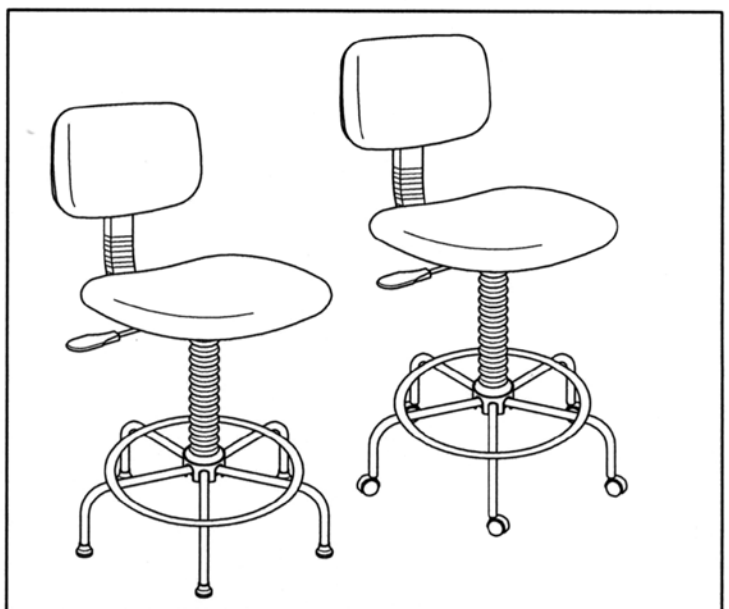
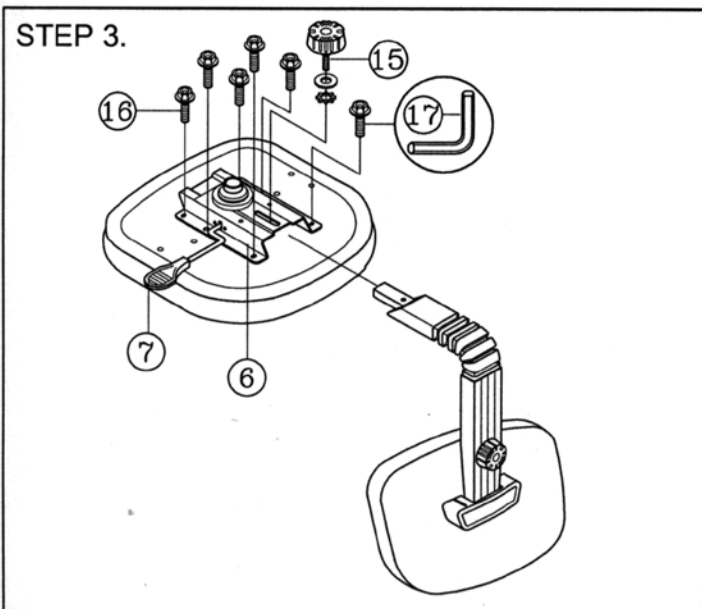
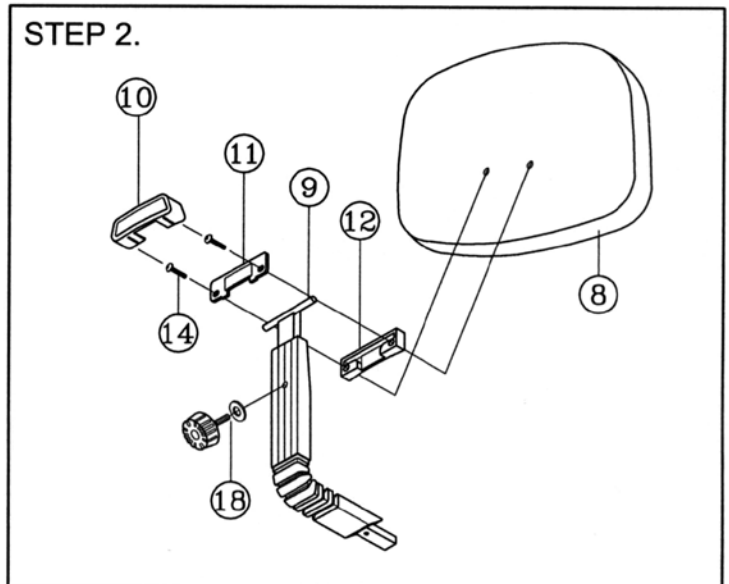
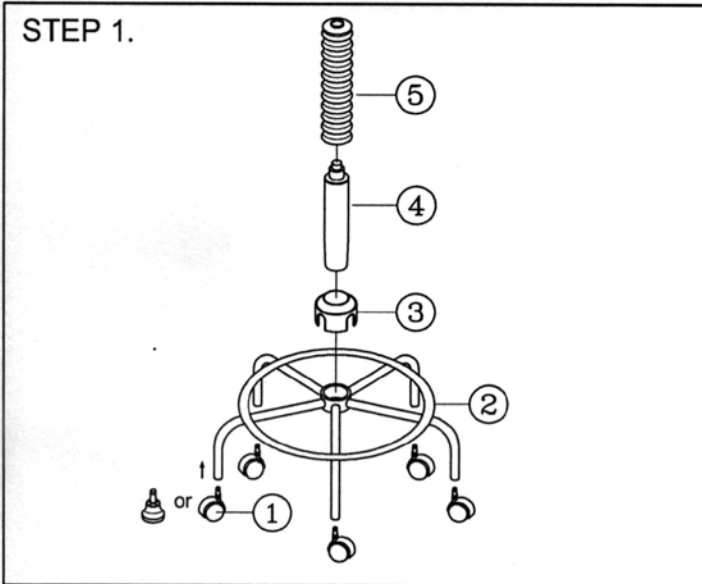
American-Style Draftsman Chair

Assembly Instructions

For DC778-34

PARTS LIST

KEY	QTY	DESCRIPTION	KEY	QTY	DESCRIPTION	KEY	QTY	DESCRIPTION
1	5	Caster or Glide	8	1	Backrest	14	2	Backrest Screw
2	1	Base	9	1	Backrest Post + Cover	15	1	Seat Depth adjustment Knob + Washers
3	1	Base Cover	10	1	Plastic Cover	16	6	Mechanism Screw
4	1	Seat Post	11	1	Steel Plate	17	1	M5 Size Allen Wrench
5	1	Seat Post Cover	12	1	Plastic Holder	18	1	Backrest Height adj. Knob + Washer
6	1	Mechanism	13	1	Backrest Height adj. Knob + Washer			
7	1	Seat						



PREVENTIVE MAINTENANCE AND WARNING!

- USE THIS PRODUCT ONLY FOR SEATING ONE PERSON AT A TIME.
- DO NOT USE THIS CHAIR AS A STEP STOOL / LADDER.
- DO NOT SIT ON ANY PART OF THE CHAIR EXCEPT THE SEAT.
- DO NOT USE CHAIR ON UNEVEN FLOOR SURFACES.
- DO NOT USE CHAIR UNLESS ALL BOLTS, SCREWS AND KNOBS ARE TIGHT. AT LEAST EVERY SIX MONTHS, CHECK ALL BOLTS, SCREWS AND KNOBS TO BE SURE THEY ARE TIGHT.
- IF ANY PARTS ARE MISSING, BROKEN, DAMAGED OR WORN, STOP USE OF THE PRODUCT UNTIL REPAIRS ARE MADE USING FACTORY AUTHORIZED PARTS.
- DISPOSE OF PACKAGING PROPERLY. PLASTIC BAG IS NOT A TOY. DO NOT USE PLASTIC BAG AS HEAD COVERING - IT MAY CAUSE SUFFOCATION.
- FAILURE TO FOLLOW THESE WARNINGS COULD RESULT IN SERIOUS INJURY.